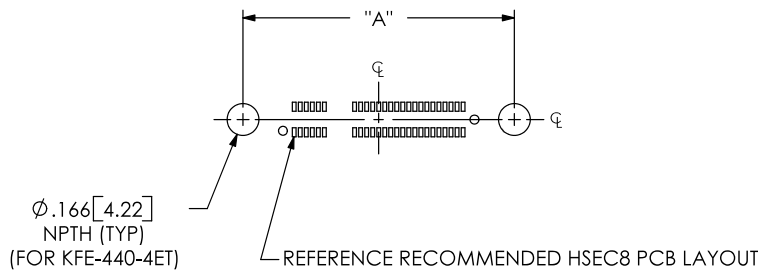
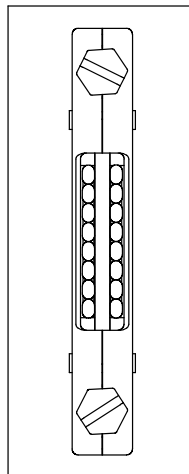


**RECOMMENDED LAYOUT FOR -DV SCREW DOWN OPTIONS**  
 (Ø.166[4.22] HOLES CENTERED ON HSEC8 LAYOUT)



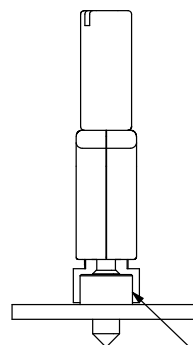
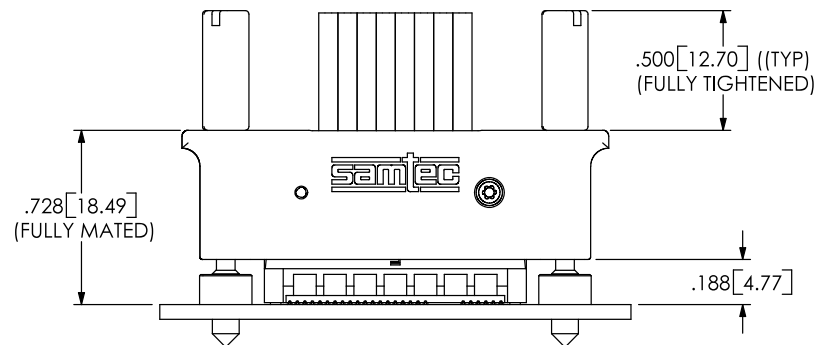
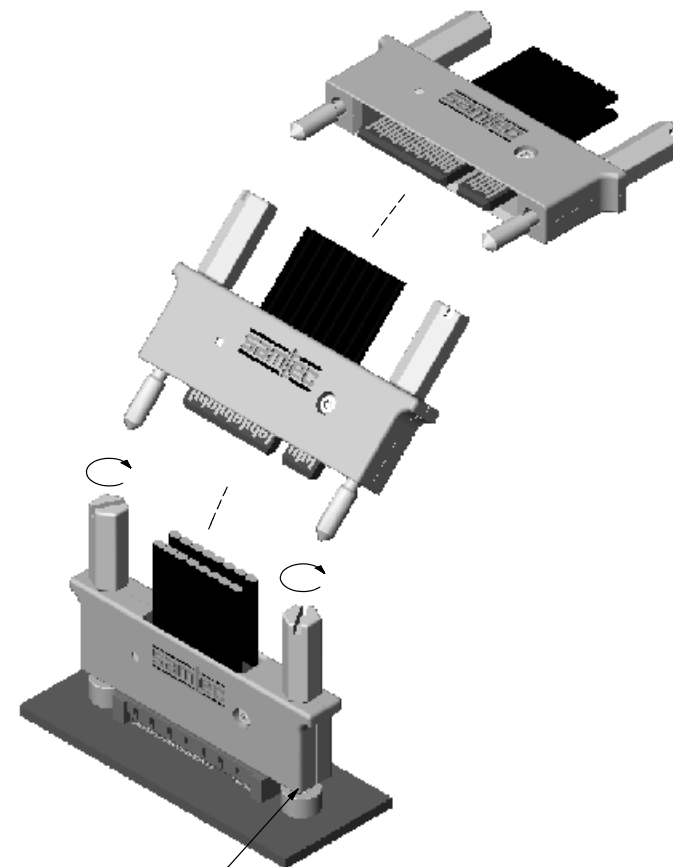
**TABLE 1**

No. OF PAIRS	HSEC8 No. OF POS PER ROW	"A"
-008	-13	1.024 [26.00]
-016	-25	1.417 [36.00]
-024	-37	1.772 [45.00]
-032	-49	2.126 [54.00]



**EEDP-DV WITH ANY SCREW-DOWN OPTION**

NOTE: ALL DIMENSIONS ARE FOR REFERENCE ONLY



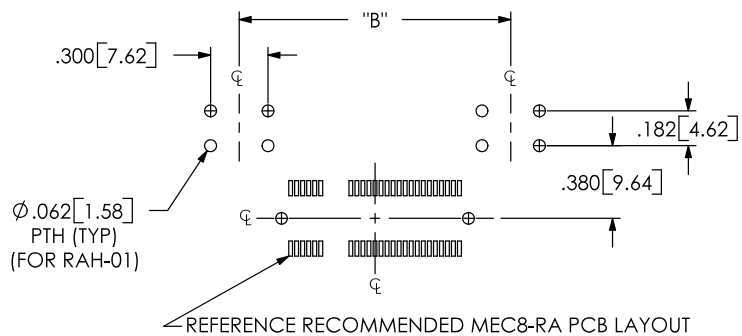
KFE-440-4ET PEM SELF-CLENCHING FASTENERS

**B** PEM FASTENERS ON TOP OR BOTTOM ARE OPTIONAL ASSEMBLY LAYOUTS

NOTE: THE PEM NUT (NOT SUPPLIED BY SAMTEC) & RAH-01 (SOLD BY SAMTEC) SPECIFIED ON THIS PRINT WILL WORK FOR THIS APPLICATION; HOWEVER, THE CUSTOMER IS FREE TO USE OTHER HARDWARE ACCEPTABLE TO THEM AS MOST OF THIS IS COMMODITY.

<p><b>PROPRIETARY NOTE</b>                  THIS DOCUMENT CONTAINS INFORMATION CONFIDENTIAL AND PROPRIETARY TO SAMTEC, INC. AND SHALL NOT BE REPRODUCED OR TRANSFERRED TO OTHER DOCUMENTS OR DISCLOSED TO OTHERS OR USED FOR ANY PURPOSE OTHER THAN THAT WHICH IT WAS OBTAINED WITHOUT THE EXPRESSED WRITTEN CONSENT OF SAMTEC, INC.</p>	<p><b>SAMTEC</b></p> <p>520 PARK EAST BLVD, NEW ALBANY, IN 47150                  * PHONE: 812.944.6733 FAX: 812.948.5047                  e-Mail: INFO@SAMTEC.COM CODE: 55322</p>	
	<p>DO NOT SCALE DRAWING</p> <p>SHEET SCALE: 1:25:1</p>	<p>DESCRIPTION: EEDP APPLICATIONS</p> <p>DWG. NO. EEDP WITH SCREW-DOWN OPTIONS</p>
<p>BY: BRATCHER 12/16/2004</p>		<p>SHEET 1 OF 2</p>

RECOMMENDED LAYOUT FOR -RA SCREW DOWN OPTIONS

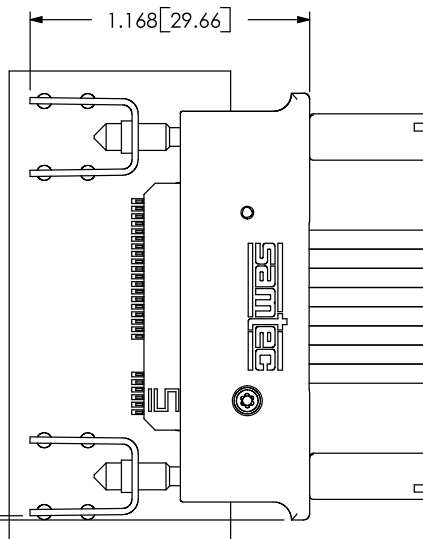


REFERENCE RECOMMENDED MEC8-RA PCB LAYOUT

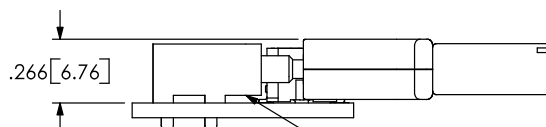
No. OF PAIRS	MEC8 No. OF POS PER ROW	"B"
-008	-13	1.024 [26.00]
-016	-25	1.417 [36.00]
-024	-37	1.772 [45.00]
-032	-49	2.126 [54.00]

EEDP-RA WITH ANY SCREW-DOWN OPTION

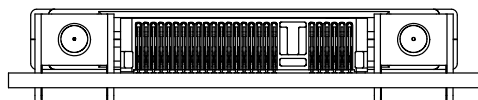
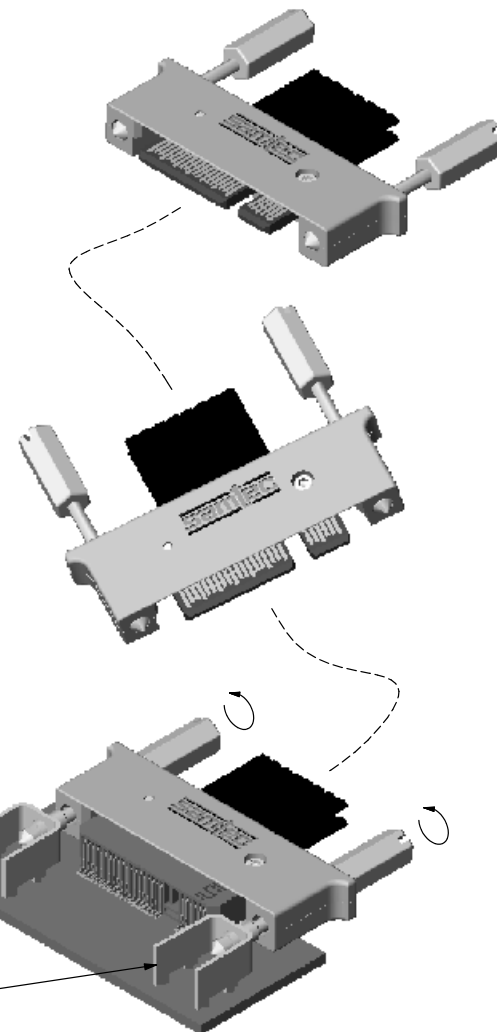
NOTE: ALL DIMENSIONS ARE FOR REFERENCE ONLY



.018 [0.45] (TYP)



RAH-01



PROPRIETARY NOTE

THIS DOCUMENT CONTAINS INFORMATION CONFIDENTIAL AND PROPRIETARY TO SAMTEC, INC. AND SHALL NOT BE REPRODUCED OR TRANSFERRED TO OTHER DOCUMENTS OR DISCLOSED TO OTHERS OR USED FOR ANY PURPOSE OTHER THAN THAT WHICH IT WAS OBTAINED WITHOUT THE EXPRESSED WRITTEN CONSENT OF SAMTEC, INC.

DO NOT SCALE DRAWING

SHEET SCALE: 1.25:1

**SAMTEC**

520 PARK EAST BLVD, NEW ALBANY, IN 47150  
 \* PHONE: 812.944.6733 FAX: 812.948.5047  
 e-Mail: [INFO@SAMTEC.COM](mailto:INFO@SAMTEC.COM) CODE: 55322

DESCRIPTION:  
 EEDP APPLICATIONS

DWG. NO.  
 EEDP WITH SCREW-DOWN OPTIONS

BY: BRATCHER 12/16/2004 SHEET 2 OF 2